

# Ada Roll-in shower base

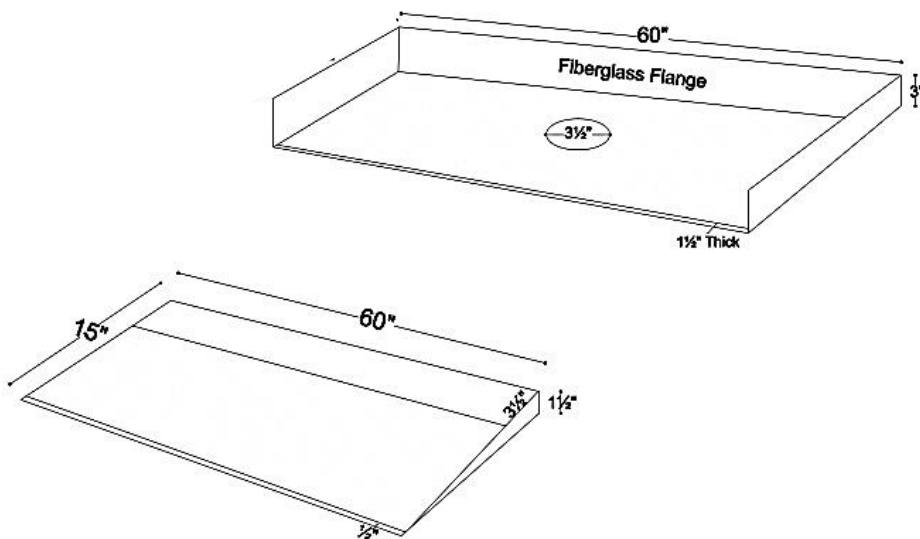


### Standard Features:

- Solid one – piece construction.
- Pre leveled rests on subfloor.
- Mold and mildew resistant.
- Bacteria resistant.
- Textured non - slip finish.
- Abrasion resistan gelcoat surface.
- Integral curbs.
- Fiberglass flange.

### Specifications:

- Size:



NOTE: In the casting process slight shrinkage in length will occur 1/8" - 1/2"